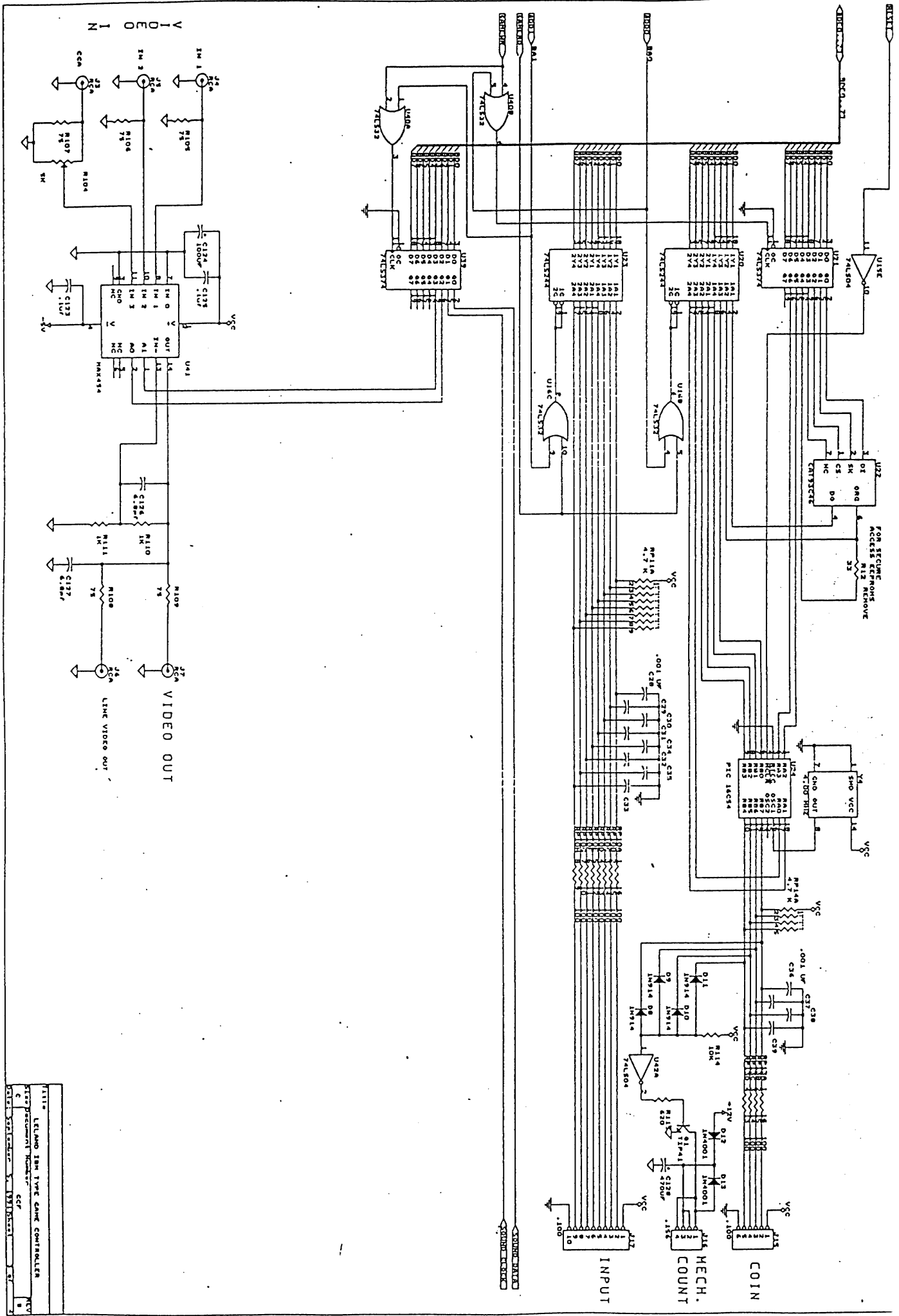


11/10/88
11/10/88
11/10/88
11/10/88

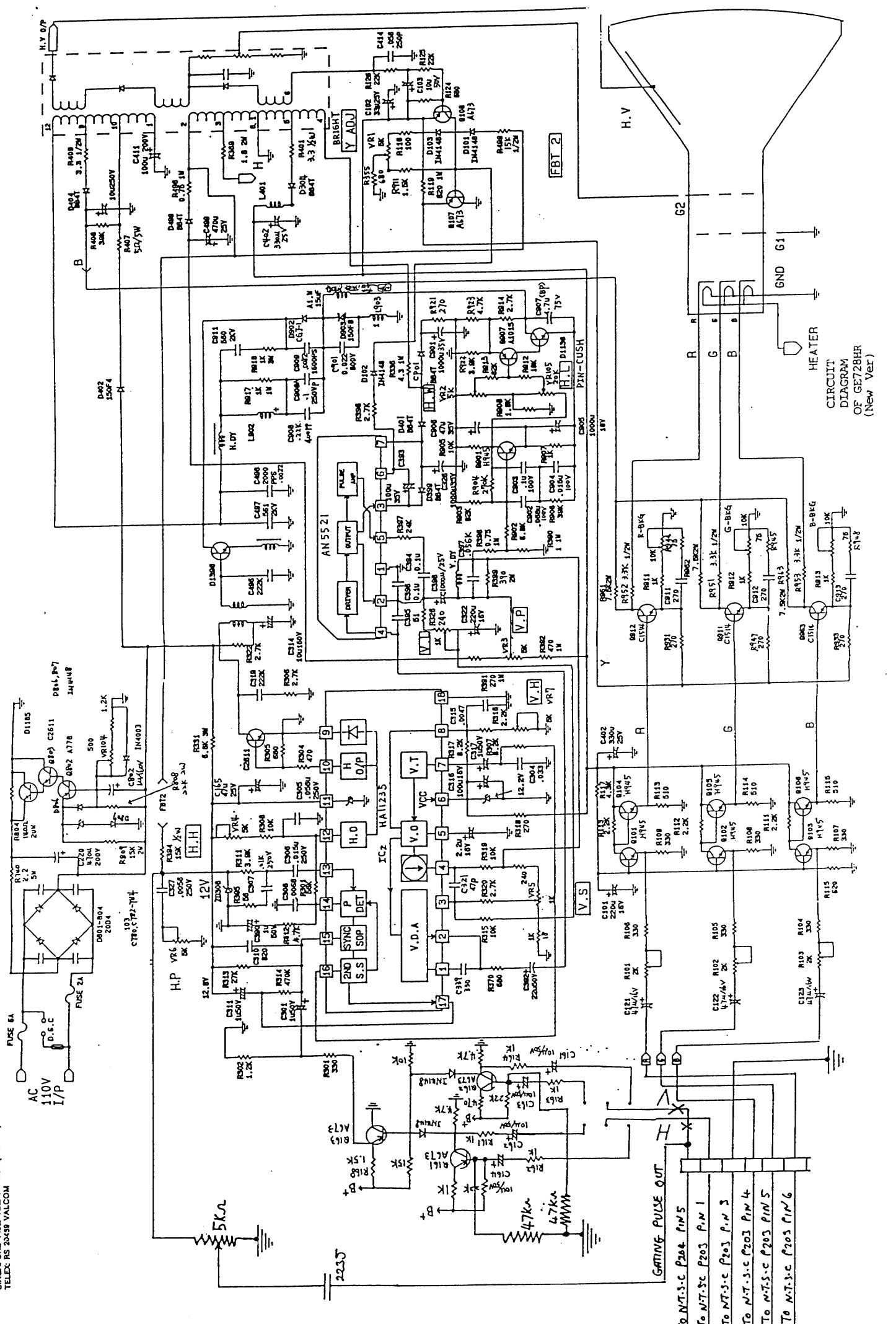
STRIPPER/CONTROL NUMBER: 11/10/88
C LELAND 10M TYPE GAGE CONTROLLER
DATE: 11/10/88



TITLE: LELAND IBM TYPE GAME CONTROLLER
 SITE: Peconic, New York
 DATE: September 1, 1971
 BY: [Signature]

MODIFIED FOR DRAGONS LAIR II

GLENDANS
ELECTRONIC COMPONENTS PTE. LTD.
631 ALMUNDEN ROAD, #04-11, LIPPO FACTORY,
SINGAPORE 11-124. TEL: 7474651 (2 LINES)
TELEX: RS 32459 VALCOM

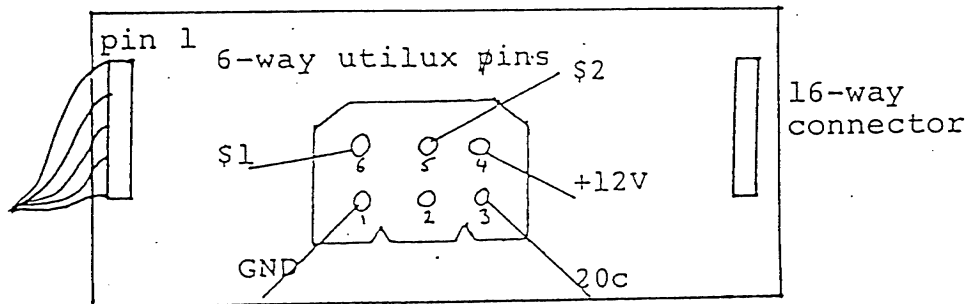
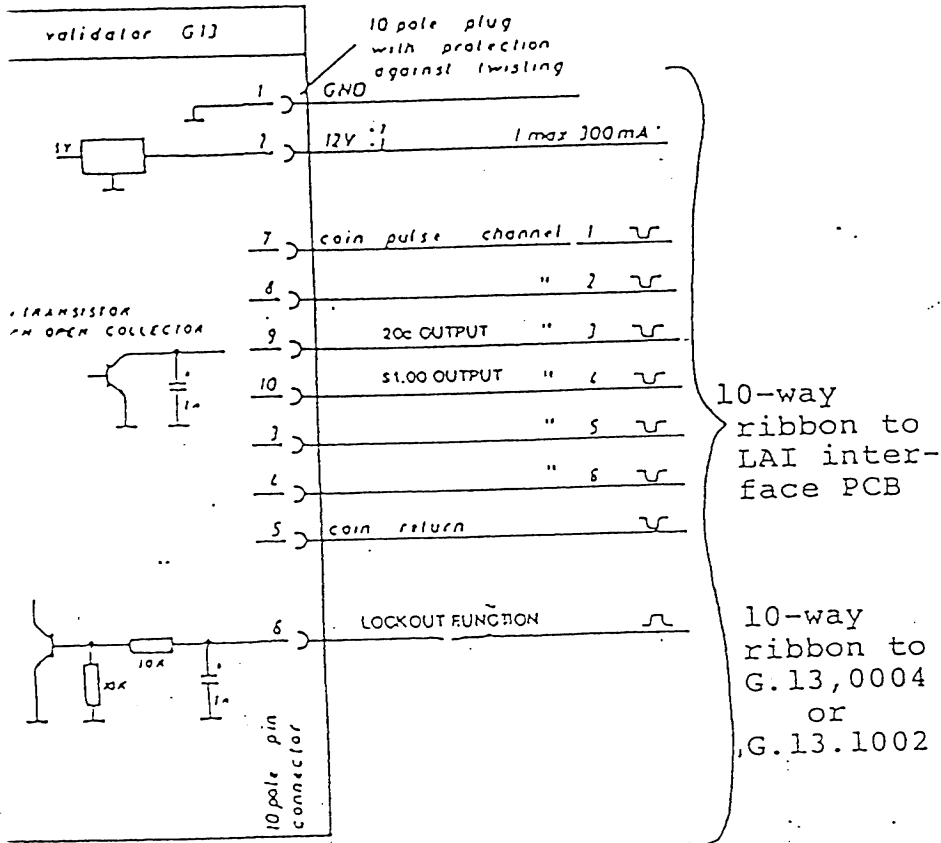


CIRCUIT
DIAGRAM
OF GE728HR
(New Ver)

- To NT-3-C P204 PIN 5
- To NT-3-C P203 PIN 1
- To NT-3-C P203 PIN 3
- To NT-3-C P203 PIN 4
- To NT-3-C P203 PIN 5
- To NT-3-C P203 PIN 6

MODEL G.13.1002

NRI COIN MECHANISM. STANDARD MODEL g.13.1002
CREDIT PCB NOT INCORPORATED



NB: DIL switch (dual in line) under PCB cover is for single coin inhibit

e.g. Corresponding channel to DIL switch
Channel 1 (coin) - DIL switch 1
Channel 2 (coin) - DIL switch 2

WARNING: These pin details are for use on G.13.1002 model only and not for any other NRI mechanism.

(1) If the correct connector is not used the coin mech. will be damaged.

(2) Model G.13.1404 uses only a 10-way connector at one end and a 16-way connector at the other.

(3) Model G.13.1002 and G.13.0004 use only a 10-way connector at both ends.



DRAGONS LAIR II:
 COIN MECH/CREDIT BOARD HARNESS WIRING

L.A.I. CREDIT BOARD

