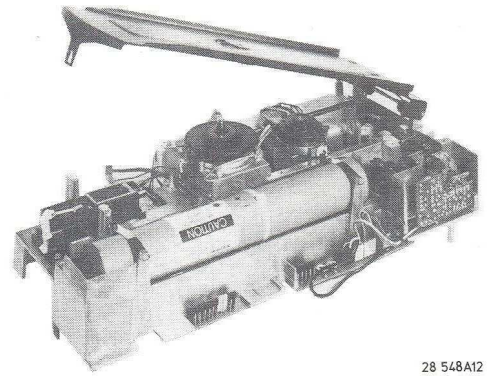


Service  
Service  
Service



28 548A12

PART II

# Service Manual

## INTRODUCTION

The deck is a play-back unit of a LaserVision Player, suitable for play-back of pre-recorded optical video discs, according LaserVision system.

The deck includes :

- Laser with optical path
- Turntable motor with disc clamping
- Slide with moving optical parts
- Slide drive motor
- Lid releasing mechanism
- HF-pre-amplifier
- Servo-pre-amplifier
- Connector panel

Output signals :

- HF-signal
- Focus-signal
- Radial-signal
- Tacho-signal

Input signals :

- Supply voltages +12 V, -12V
- Laser supply
- Servo signals for:
  - objective
  - radial mirror
  - tangential mirror
  - turntable motor
  - slide drive motor
  - lid releasing

\* Remark: For Service adjustments see Service Manual of the relevant Laser Vision player.

## CONTENTS

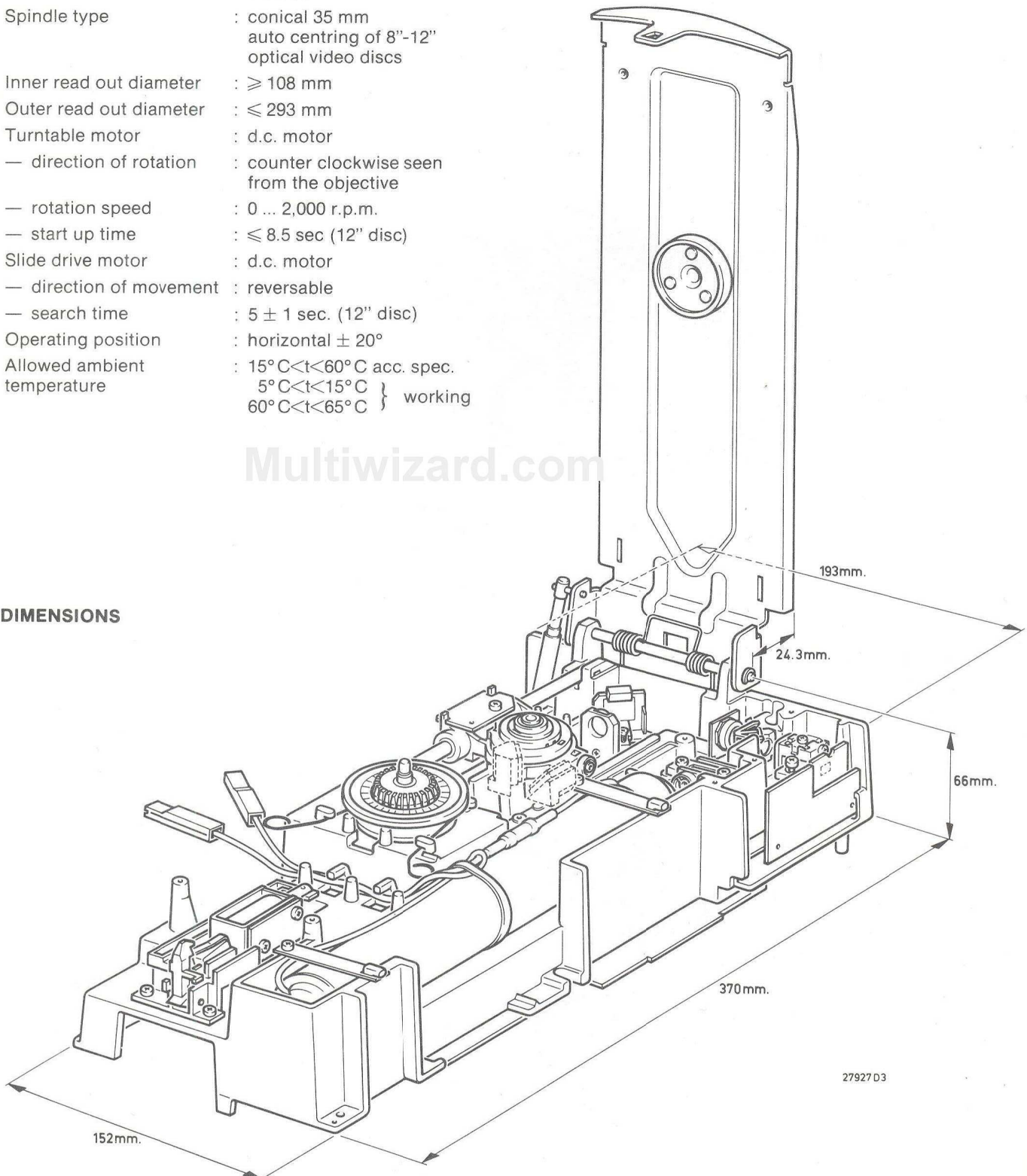
: Introduction  
Technical data  
Dimensions  
Location of components  
Optical path  
Wiring diagram  
Circuit diagram  
Exploded view  
List of mechanical parts  
List of electrical parts

Safety regulations require that the set be restored to its original condition and that parts which are identical with those specified, be used.

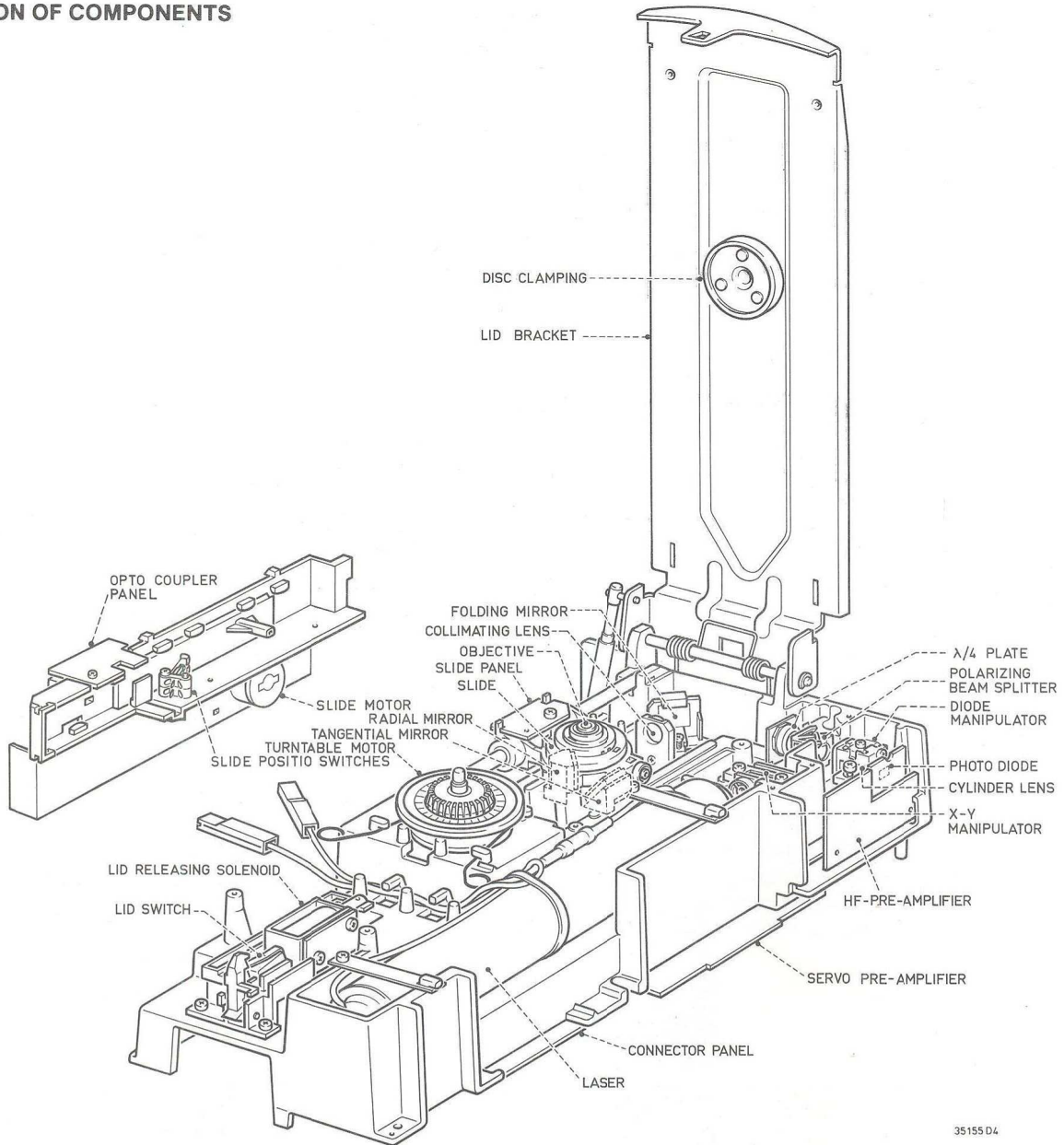
## TECHNICAL DATA

Weight	: approx. 3 kg
Supply voltages	: + 12 V $\pm$ 5% - 12 V $\pm$ 5%
Current consumption	: < 180 mA
Laser voltage	: ignition $\geq$ 8.000 V d.c. operation 1150 $\pm$ 100 V d.c.
Laser current	: operation 5 $\pm$ 0.2 mA
Laser type	: He-Ne Laser 1.5 $\pm$ 0.5 mW 632.8 nm
Objective	: 20 x 0.40 N.A.
Disc clamping	: automatically with lid closure
Spindle type	: conical 35 mm auto centring of 8"-12" optical video discs
Inner read out diameter	: $\geq$ 108 mm
Outer read out diameter	: $\leq$ 293 mm
Turntable motor	: d.c. motor
— direction of rotation	: counter clockwise seen from the objective
— rotation speed	: 0 ... 2,000 r.p.m.
— start up time	: $\leq$ 8.5 sec (12" disc)
Slide drive motor	: d.c. motor
— direction of movement	: reversable
— search time	: 5 $\pm$ 1 sec. (12" disc)
Operating position	: horizontal $\pm$ 20°
Allowed ambient temperature	: 15°C < t < 60°C acc. spec. 5°C < t < 15°C } working 60°C < t < 65°C }

## DIMENSIONS

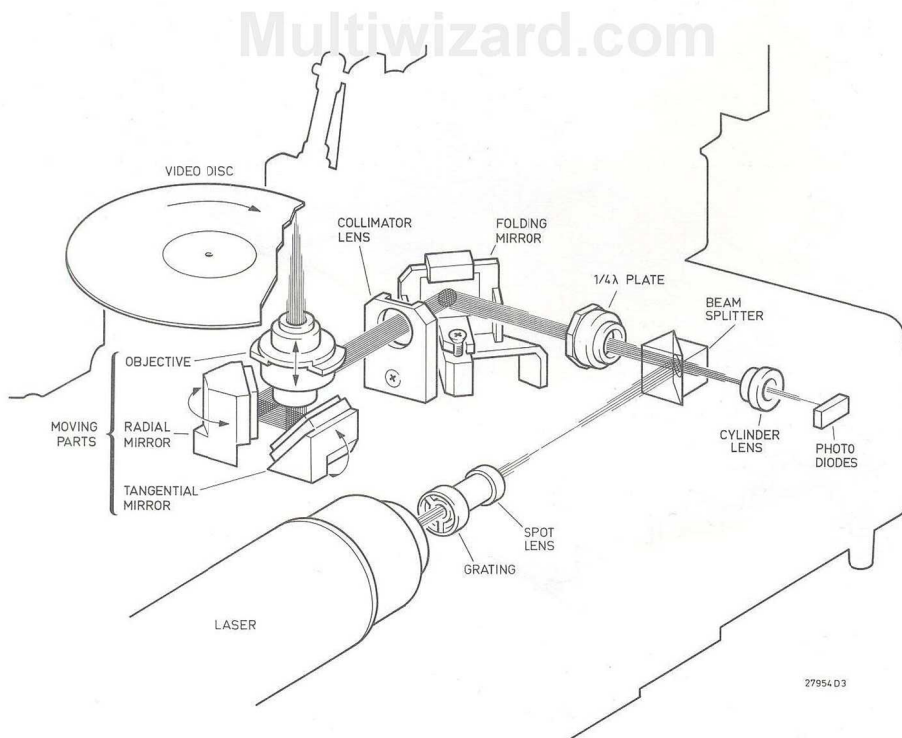


**LOCATION OF COMPONENTS**



35155 D4

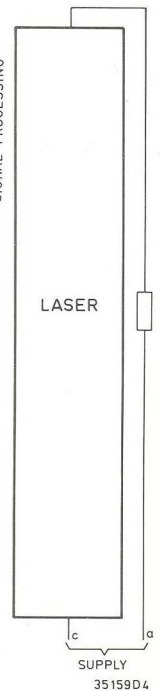
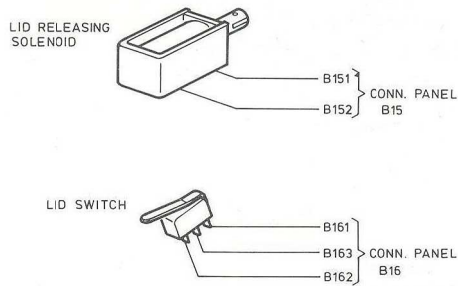
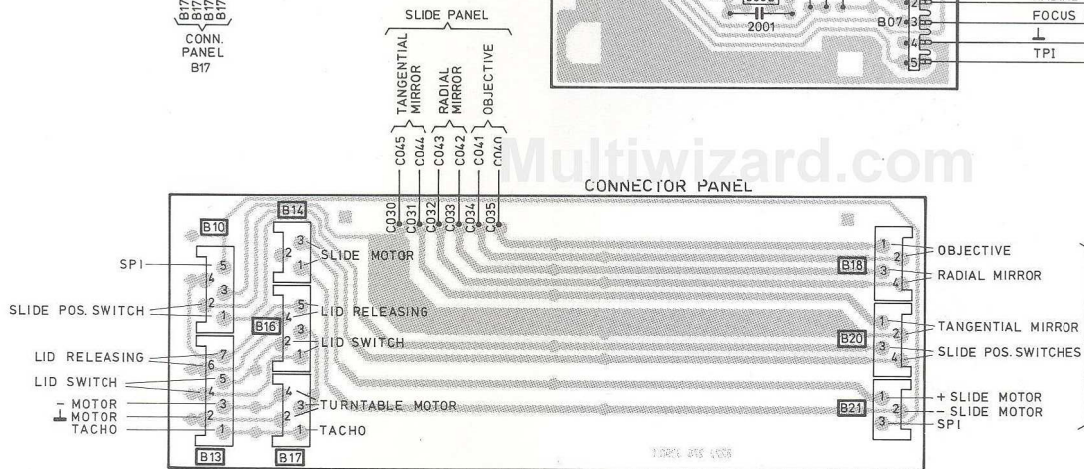
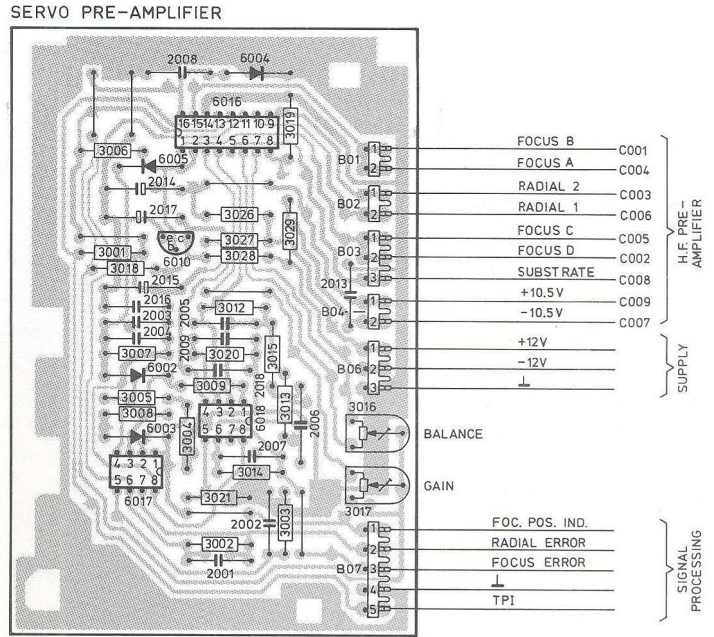
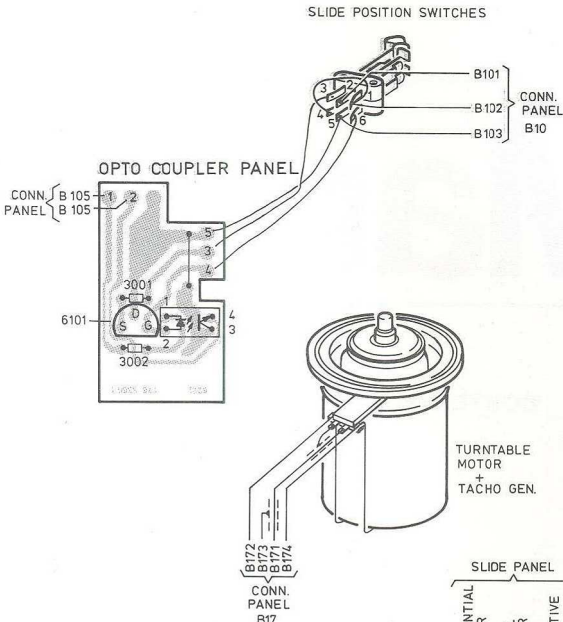
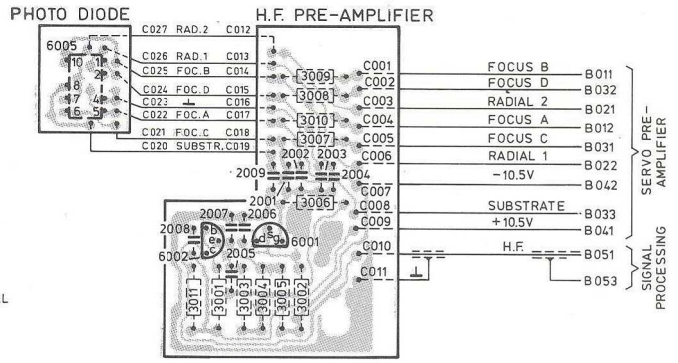
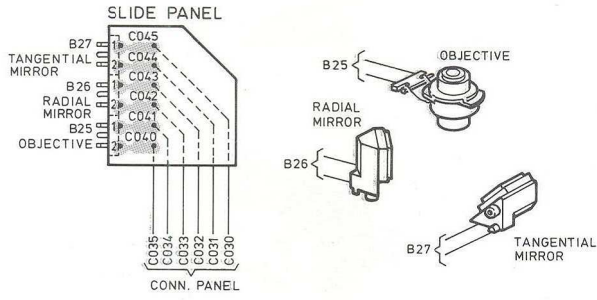
**OPTICAL PATH**



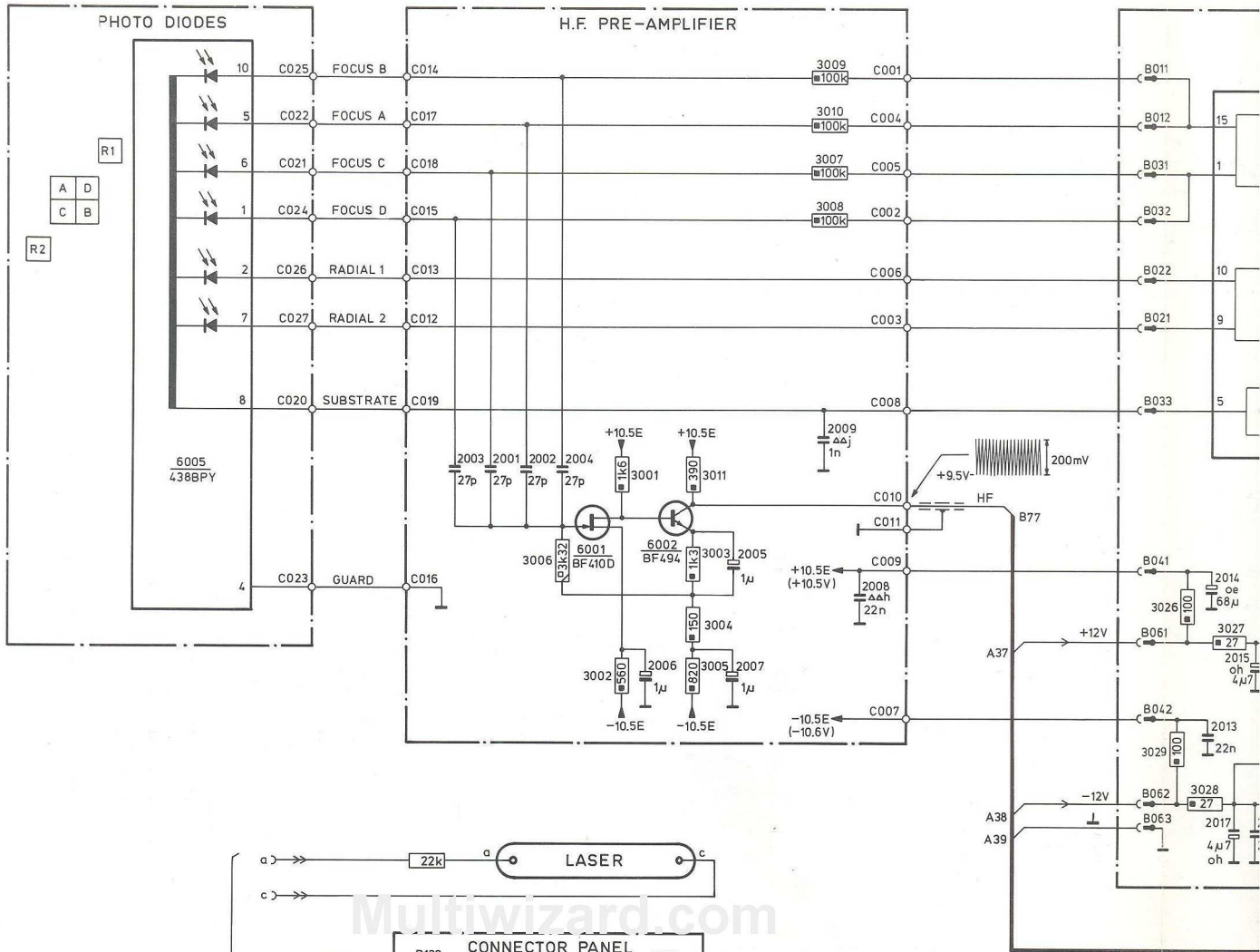
27954 D3



# WIRING DIAGRAM



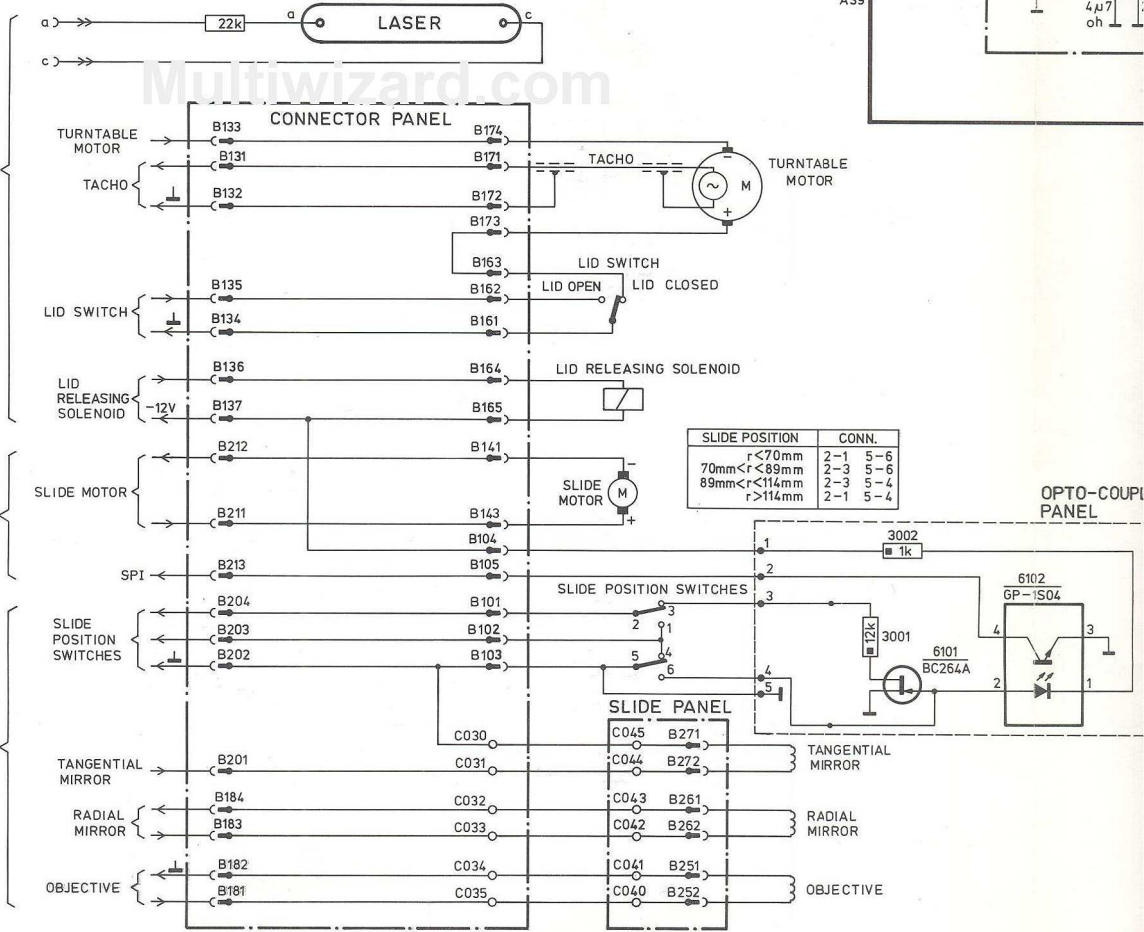
# DECK ELECTRONICS DIAGRAM E



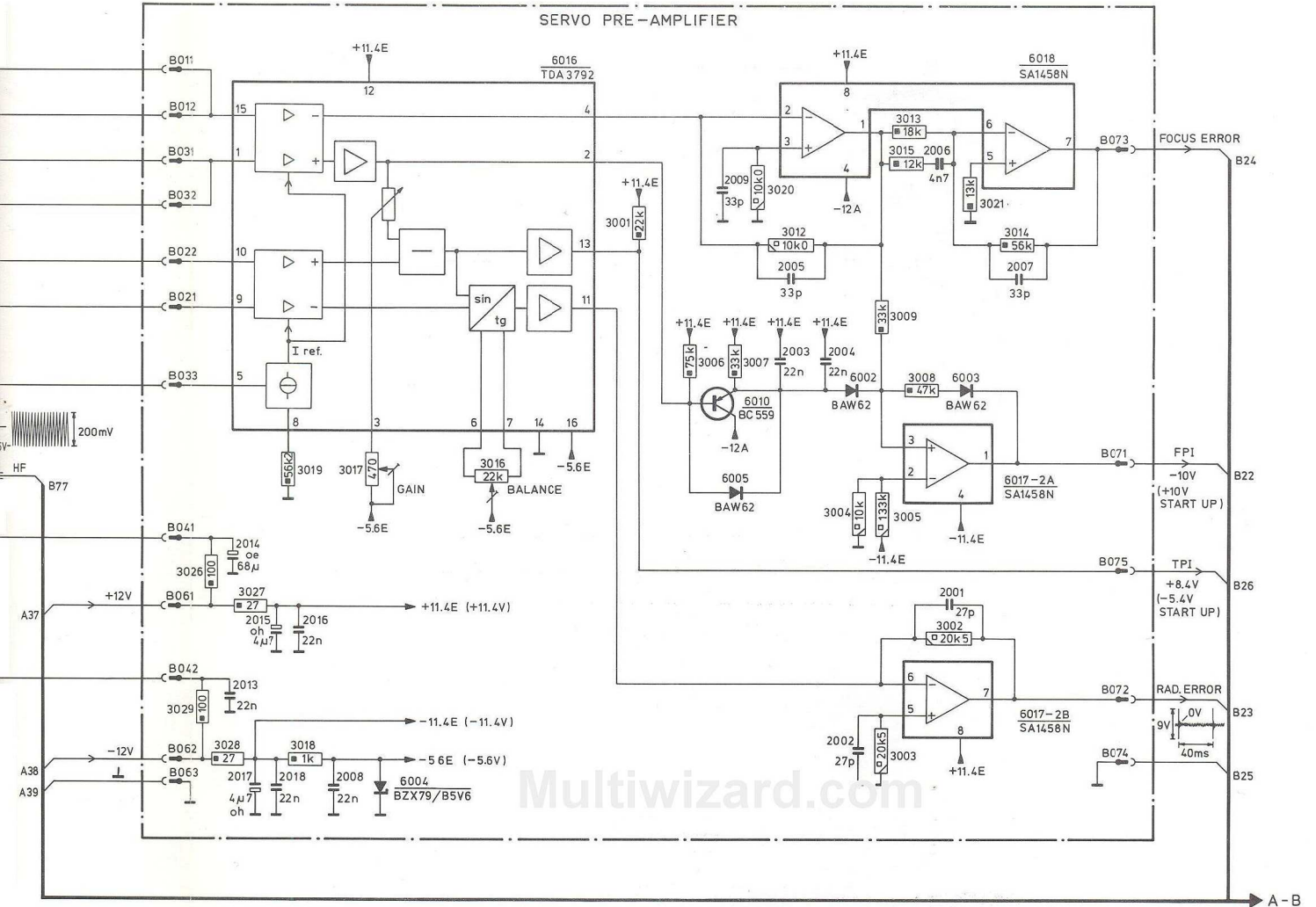
SUPPLY  
(DIAGRAM A)

CONTROL 2  
(DIAGRAM P)

VS1  
(DIAGRAM B)



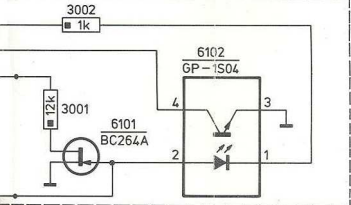
SERVO PRE-AMPLIFIER



27383E8/C

CONN.		
2-1	5-6	5-6
2-3	5-6	5-6
2-3	5-4	5-4
2-1	5-4	5-4

OPTO-COUPLER PANEL



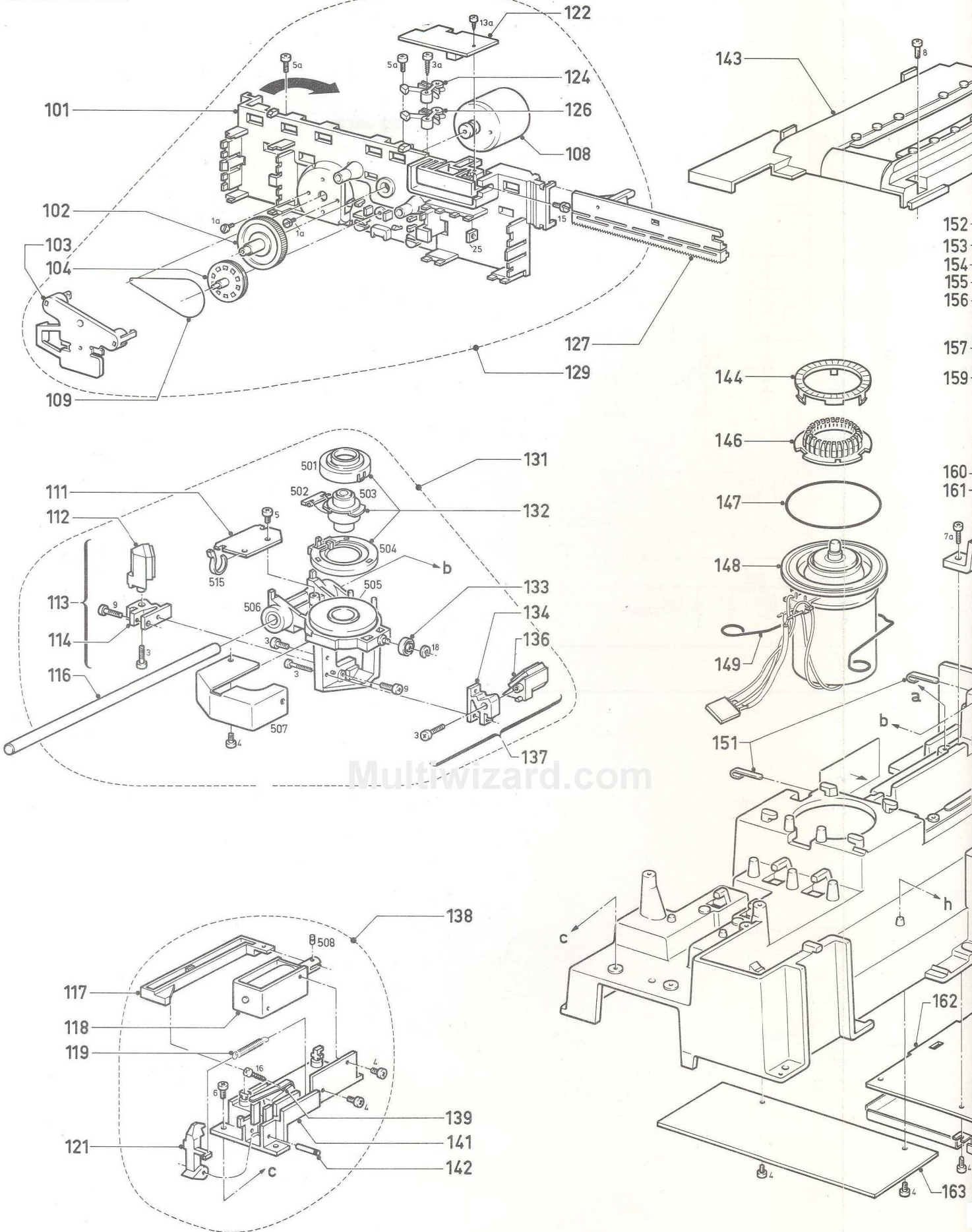
TANGENTIAL MIRROR

RADIAL MIRROR

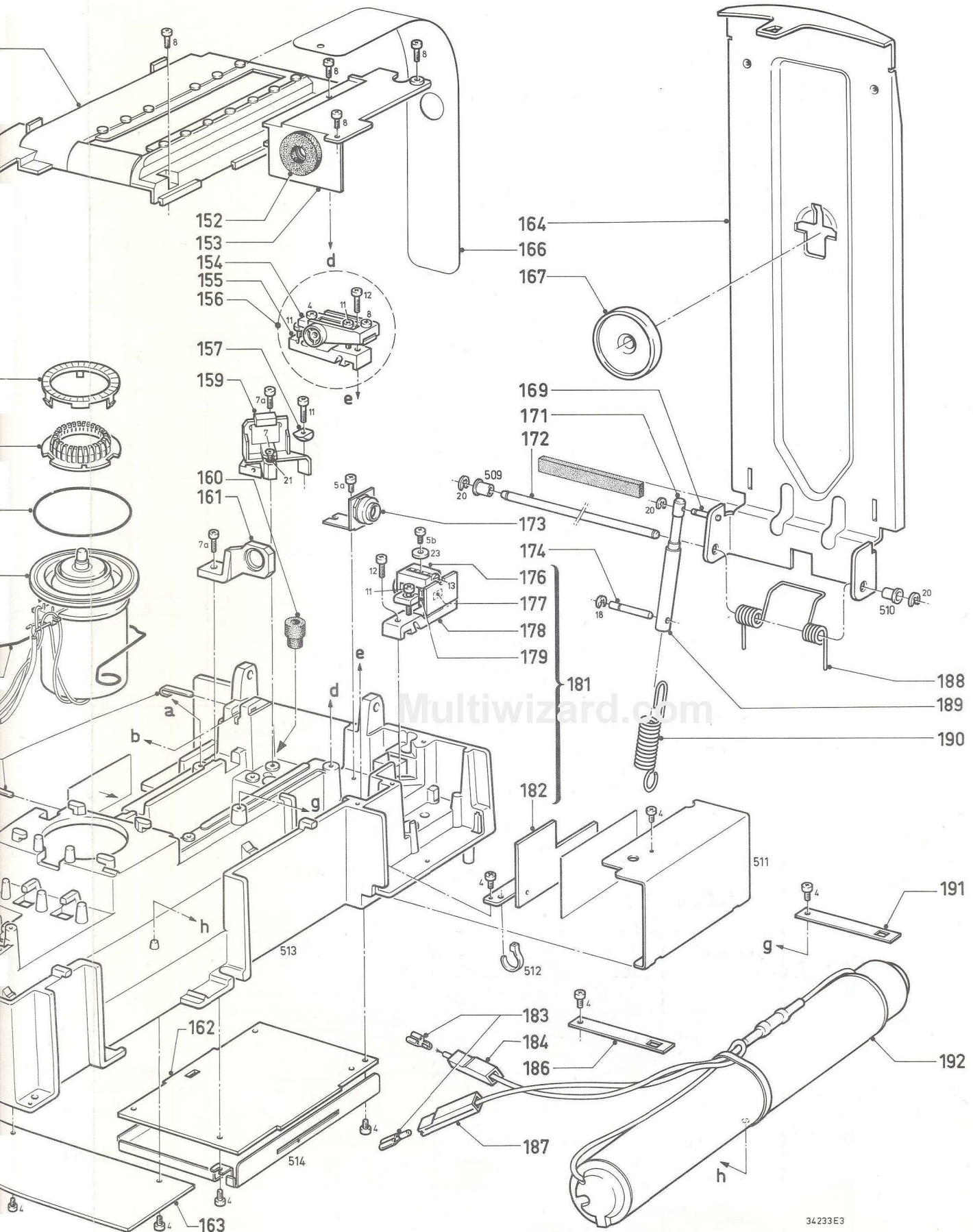
OBJECTIVE



EXPLODED VIEW



Multiwizard.com





## LIST OF MECHANICAL PARTS

### Fixing material

1a	4822 502 11674	Screw M2x5
3	4822 502 11552	Screw M2.5x16
3a	4822 502 11675	Screw M2.5x16
4	4822 502 11472	Screw M3x5
5	4822 502 11526	Screw M3x5
5a	4822 502 11677	Screw M3x5
5b	4822 502 11064	Screw M3x6
6	4822 502 11473	Screw M3x8
7	4822 502 11574	Screw M3x8
8	4822 502 11474	Screw M3x10
9	4822 502 11573	Screw M3x10
11	4822 502 11553	Screw M3x15
12	4822 502 11475	Screw M3x16
13	4822 502 11554	Screw M3
13a	4822 502 30307	Screw M4x6
14	4822 502 30048	Screw 4Nx16
15	4822 502 30308	Screw 4Nx16
16	5322 502 84013	Screw 2Nx13
17	4822 505 10471	Nut M2.5
18	4822 530 70043	Retaining ring 2.3
19	4822 532 10847	Ring 2.7x6.5
20	4822 530 70124	Retaining ring 4
21	5322 325 64029	Grommet
23	4822 532 10582	Ring 3.2x9

### Chassis



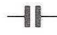








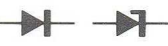
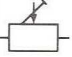

101	4822 444 50305	Bracket	157	4822 535 20046	Wedge
102	4822 522 31743	Pulley	159	4822 380 10019	Folding mirror
103	4822 462 40651	Bracket	160	4822 462 40558	Stopper
104	4822 528 80956	Pulley	161	4822 381 10684	Collimating lens
108	4822 361 20442	Slide drive mirror	162	4822 214 50261*	Servo pre-amplifier
109	4822 358 30386	Belt	163	4822 263 70181	Connector panel
111	4822 214 50263*	Slide panel	164	4822 402 60859	Lid bracket
112,113	4822 380 20118*	Radial mirror assy	166	4822 460 10518	Dust strip
114	4822 402 60815	Bracket	167	4822 532 60775	Clamping piece
116	4822 535 91261	Spindle	169	4822 535 70644	Pin
117	4822 402 60817	Bracket	171	4822 360 40107	Plunger
118	4822 281 30145*	Lid releasing solenoid	172	4822 535 91582	Spindle
119	4822 492 32073	Tension spring	173	4822 381 20067	λ/4 plate assy
121	4822 526 50058	Pawl	174	4822 535 91263	Spindle
122	4822 402 60885	Slide stop panel (opto coupler)	176	4822 492 62493	Flat spring
124,126	4822 271 30255*	Slide position switch	177	4822 130 31572*	Photo diode
127	4822 522 31742	Rack	178	4822 402 60814	Diode manipulator
129	4822 691 30127	Slide drive assy	179	4822 381 40045	Cylinder lens
131	4822 691 30108	Slide assy	181	4822 214 50273*	Photo diode with pre-ampli assy
132	4822 256 80046*	Objective assy			
133	4822 528 90376	Wheel	182	4822 214 50373	H.F. pre-amplifier
134	4822 402 60815	Bracket	183	4822 268 20079*	Laser connector
136,137	4822 380 20119*	Tangential mirror assy	184	4822 268 40098	Anode connector housing
138	4822 417 20121	Lid blocking assy	186	4822 492 62491	Leafspring
139	4822 271 30322*	Lid switch	187	4822 268 40099	Cathode connector
141	4822 464 50183	Bracket	188	4822 492 41014	Tension spring
142	4822 535 91259	Spindle	189	4822 360 40108	Bush
143	4822 444 60396	Dust cover	190	4822 492 32314	Spring
144	4822 460 20336	Ornamental ring	191	4822 492 62941	Leafspring
146	4822 532 60774	Centring ring	192	4822 131 41002*	Laser
147	4822 530 50592	"O"-ring		4822 390 20107	Grease for damper item 189
148	4822 361 30152*	Turntable motor			
149	4822 492 62494	Spring			
151	4822 492 62489	Leafspring			
152	4822 532 51176	Ring			
153	4822 444 30318	Cover			
154	4822 492 62488	Leafspring			
155	4822 256 90414	Manipulator holder			
156	4822 691 30107	Spot lens/grating manipulator assy			

\*See also list of electrical parts

#### Remarks:

For replacement of parts in light path see optical adjustments in the relevant LaserVision Player Service Manual.

**LIST OF ELECTRICAL PARTS**

<p><b>Printed panels</b> (only available during production)</p> <p>H.F.-pre-amplifier panel 4822 214 50373            Servo-pre-amplifier panel 4822 214 50261            Connector panel 4822 263 70181            Slide panel 4822 214 50263            Slide motor panel 4822 402 60885</p>	<p><b>Servo-pre-amplifier</b></p> <p></p> <p>2014 68 <math>\mu</math>F - 16 V 4822 124 20689            2015,2017 4.7 <math>\mu</math>F - 63 V 4822 124 20726</p>
<p><b>Laser</b> 4822 131 41002</p> <p> Turntable motor 4822 361 30152            Slide motor 4822 361 20442</p>	<p></p> <p>2001,2002 27 pF - 50 V 4822 122 10215            2003,2004 }            2008,2018 } 22 nF 4822 122 10188            2005,2007,2009 33 pF - 50 V 4822 122 10179            2006 4.7 nF 4822 121 50539</p>
<p> Lid switch 4822 271 30322            Slide position switch 4822 271 30255</p>	<p><b>HF-pre-amplifier</b></p> <p></p> <p>2001...2004 27 pF - 100 V 4822 122 30045            2005,2007 1 <math>\mu</math>F - 25 V 4822 124 21457</p>
<p> Objective assy 4822 256 80046            Radial mirror assy 4822 380 20118            Tangential mirror assy 4822 380 20119            Lid-releasing solenoid 4822 281 30145</p>	<p></p> <p>1 nF 100 V 4822 122 30027            22 nF 63 V 4822 122 30103</p>
<p> Photo diode 4822 130 31572            Photo diode with H.F.-pre-amplifier 4822 214 50273            Photo interrupter GP-1S04 4822 130 32114</p>	<p></p> <p><b>Connectors Stocko</b></p> <p>sockets:</p> <p>3p 4822 267 40352            4p 4822 267 40353            5p 4822 267 40354            6p 4822 267 40355            7p 4822 267 50285            8p 4822 267 50406            9p 4822 267 50419            10p 4822 267 50332</p> <p>plugs:</p> <p>3p 4822 265 30273            4p 4822 267 40507            5p 4822 265 30275            6p 4822 267 30546            7p 4822 265 40252            8p 4822 265 40253</p>
<p> SA1458N 4822 209 80793            TDA3792 4822 209 81029</p>	
<p> BC264A 5322 130 44476            BC559 4822 130 40963            BF410D 4822 130 41697            BF494 4822 130 44195</p>	
<p> BAW62 4822 130 30613            BZX79/B5V6 4822 130 34173</p>	
<p> 470 <math>\Omega</math> 4822 100 10038            22 k<math>\Omega</math> 4822 100 10051</p>	
<p> <b>MR25</b></p> <p>3.32 k<math>\Omega</math> 5322 116 54005            10 k<math>\Omega</math> 4822 116 51253            20.5 k<math>\Omega</math> 5322 116 55419            56.2 k<math>\Omega</math> 4822 116 51264            133 k<math>\Omega</math> 5322 116 54708            100 k<math>\Omega</math> 4822 116 51268</p>	